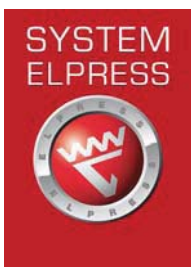


## Un-insulated terminals and tools

General information about un-insulated terminals	2
Handtools for un-insulated terminals	3
Ring terminals 0.25 - 6 mm <sup>2</sup>	4
Tube terminals 0.75 - 10 mm <sup>2</sup>	5
Fork terminals 0.25 - 10 mm <sup>2</sup>	5
Pin terminals 0.25 - 6 mm <sup>2</sup>	6
Through connectors 0.75 - 10 mm <sup>2</sup>	6
Receptacles 0.5 - 6 mm <sup>2</sup>	6
Receptacles with locking lip 0.5 - 6 mm <sup>2</sup>	7
Multiple tabs 0.5 - 2.5 mm <sup>2</sup>	7
Receptacle, 90°, 0.5 - 1.5 mm <sup>2</sup>	7
Receptacle 90°, 0.5 - 1 mm <sup>2</sup>	7
Tabs 0.5 - 2.5 mm <sup>2</sup>	8
Tabs with locking lip 0.5 - 6 mm <sup>2</sup>	8
Bullets 0.2 - 1.5 mm <sup>2</sup>	8
Sockets 0.2 - 1.5 mm <sup>2</sup>	8
Tabs	9
Tabs for soldering	10
Insulation boots	11
Connector blocks	12
Assortment box	13
Hobby tools for crimping terminals 0.5 - 6 mm <sup>2</sup>	14
Certified tools for un-insulated terminals 0.15 - 6 mm <sup>2</sup>	15
Certified Miniforce tools for un-insulated terminals 0.5 - 10 mm <sup>2</sup>	16
Elpress Mobile - a tool with interchangeable dies	18
Battery powered crimp tool	21
Tool for Cu terminals 4 - 16 mm <sup>2</sup>	22

## General information about un-insulated terminals



### System Elpress

System Elpress consists of connectors and tools tested together for optimum connection result. The System concept makes you as a customer able to feel secure when using our system and to be sure a safe connection is made when Elpress products are used correctly.

### Un-insulated terminals

Elpress un-insulated ring, tube terminals, forks, pins and connectors are produced from high grade 99.95% copper. The receptacles, tabs, bullets and sockets are produced from brass. All types are electrolytically tin plated for good corrosion protection.

Rings, forks and pins have brazed necks to allow crimping in all radial directions.

### Markings

Elpress un-insulated terminals are, when possible, marked with logotype, max. cross section area and possible screw size to facilitate identification, inspection and crimp system work.

#### Example of product designation

Cat. no. B1532R (G, HO, FLS etc.)

B = un-insulated

15 = conductor cross section area (1,5 mm<sup>2</sup>)

32 = Characteristic dimension (Hole Ø 3,2 mm)

G = fork terminal

GS = fork terminal

H = tab

HN = tab

HA = bullet

HO = socket

R = ring terminal

SR = pin

FLS = receptacle, rolled type

FLSB = receptacle 90° rolled type

FLSH = multiple tabs

FLSN = receptacle with locking lip

FLSV = receptacle angled rolled type



Crimped samples of Elpress un-insulated terminals.



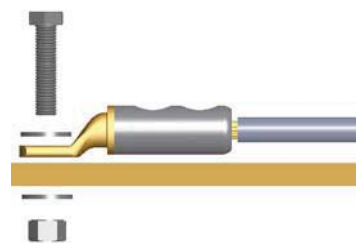
### UL approved terminals

UL is an American standard which is also internationally accepted. Elpress standard Cu terminals of types KR/KS, KRF/KSF, KRT/KST are UL approved according to no. E205350. Cu terminals of types KR/KS, KRF/KSF are for stranded and flexible copper wires, classes 2 and 5 according to IEC 60228, and have a working area of 1-500 mm<sup>2</sup>.

### Screws and washers

The following apply to bright galvanized nuts and screws in strength class 8.8 used for connecting terminals to Cu and Al bus bars:

- Always use a torque wrench to ensure that they are tightened to the right torque. Ensure it is regularly calibrated in accordance with the supplier's instructions.
- Use the recommended torque in accordance with the screw manufacturer's instructions.
- Always use a hard flat washer to reduce friction between the installation surface and hole edge pressure, min hardness HB200.
- A spring washer in accordance with DIN 6796 may be used together with a flat washer to further increase strength in advanced applications.
- Assemble as shown in image.



Screw	Tightening torque (Nm)
M5	5
M6	9
M8	21
M10	41
M12	70
M14	110
M16	170
M20	340

# Hand tools for un-insulated terminals

## Mechanical hand tools

High quality, crimp performance and ergonomics are prime considerations of Elpress when developing mechanical crimp tools. Except for the hobby tools, all Elpress crimp tools have a full closure, ratchet mechanism to ensure correct crimps at all instances - a prerequisite for professional and quality assured work.



Elpress Mobile, a professional crimp tool with interchangeable dies.

## Miniforce tool

With the unique Miniforce range of crimp tools, a new level of performance was established when speaking of ergonomic adaption to the user and of low handle forces needed. A reduction of required force up to 45% is reached as a result of advanced ergonomic studies where minimised risk for work discomfort or even injuries was the main objective.



Miniforce type C has extra long handles for an easy two-hand grip which in most

cases represents a simple and natural way of lowering work loads.

Elpress tools and terminals/connectors together form a Crimp System where the crimp results are supervised to meet requirements of established standards like IEC60352-2, SEN 245010, DIN46249, BS4579:1 and other.

Many of the most common tools have symmetrical crimp die nests to enable crimps from both tool sides - a feature certainly appreciated by left-handed users.

All Miniforce type G- and D-tools are produced from high grade Swedish steel with black finish surface and comprehensive laser markings.



## Certification of crimp tools

Quality assurance of our tools is made by certification, already in the manufacturing process, of the crimping tools, both hand tools type Gxx, i.e. the Miniforce tools, and type Dxx tools.



### What is certified?

The certification of Elpress crimp tools comprises individual documentation from final assembly and inspection regarding:

- **handle pre-load**, which is the force needed to release the crimp completion ratchet
- **crimp die nest heights**, which means each of the greatest nest heights to be measured with completely closed dies.

### Why certification?

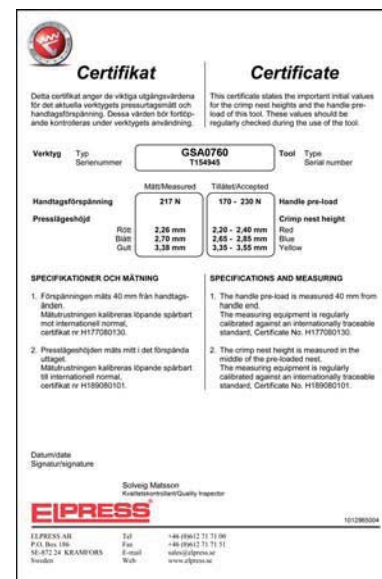
The certificate that accompanies the tool has several functions:

- New crimp tools are often immediately introduced into a QA system. The tool status before use is then of course to

be the first log entry. Later periodic inspection recordings may then form base for detection of changes or wear and of possibly necessary corrective actions.

- The certificate shows that each individual tool meets the design specifications before supply.
- The certificate indicates the most important tool properties to be followed up.

Elpress service department offers continued follow up on the quality of the tools.



Elpress certificate.



## Ring terminals 0.25 - 6 mm<sup>2</sup>

■ Data: Cu 99.95%, tin plated, brazed necks.



mm <sup>2</sup>	Cat. no.	Screw	mm W	d	t	L	s	Pcs/pack	Rec. tool
0,25-0,75	B0832R	M3	5,5	1,3	0,5	13,0	7	100	DKB0325
	B0843R	M4	7,5	1,3	0,5	16,2	7	100	DKB0325
	B0853R	M5	9,0	1,3	0,5	17,0	7	100	DKB0325
0,75-1,5	B1532R	M3	5,5	1,8	0,7	13,0	7	100	DKB0325, DKB0760
	B1543R	M4	7,5	1,8	0,7	16,2	7	100	DKB0325, DKB0760
	B1553R	M5	9,0	1,8	0,7	17,0	7	100	DKB0325, DKB0760
	B1565R	M6	11,0	1,8	0,7	20	7	100	DKB0325, DKB0760
	B1585R	M8	14,0	1,8	0,7	23	7	100	DKB0325, DKB0760
	B1510R	M10	17,0	1,8	0,75	26	7	100	DKB0325, DKB0760
1,5-2,5	B2532R	M3	6,0	2,3	0,8	15,0	8	100	DKB0325, DKB0760
	B2537R	M3,5	6,2	2,3	0,8	16,2	8	100	DKB0325, DKB0760
	B2543R	M4	7,5	2,3	0,8	16,2	8	100	DKB0325, DKB0760
	B2553R	M5	9,0	2,3	0,8	17,0	8	100	DKB0325, DKB0760
	B2565R	M6	11,0	2,3	0,8	20	8	100	DKB0325, DKB0760
	B2585R	M8	14,0	2,3	0,8	23	8	100	DKB0325, DKB0760
	B2510R	M10	17,0	2,3	0,75	26	8	100	DKB0325, DKB0760
	4-6	B4643R	M4	7,8	3,4	1,0	17,9	9	100
B4653R		M5	9,0	3,4	1,0	18,0	9	100	DKB0760
B4665R		M6	11,0	3,4	1,0	20	9	100	DKB0760
B4685R		M8	14,0	3,4	1,0	23	9	100	DKB0760
B4610R		M10	17,0	3,4	1,0	27	9	100	DKB0760
B4613R		M13	18,0	3,7	1,0	30	9	100	DKB0760

t = palm thickness s = strip length

For detailed information regarding recommended tool, see tool section at the end of this chapter.

## Tube terminals 0.75 - 10 mm<sup>2</sup>

- Data: Cu 99.95%, tin plated
- Cable inspection hole, for flexible (class5) and stranded (class 2) Cu conductors.
- UL-approved (1-10 mm<sup>2</sup>).

Marking example KR: 10 10 10 = mm<sup>2</sup> 10 = palm hole for M10

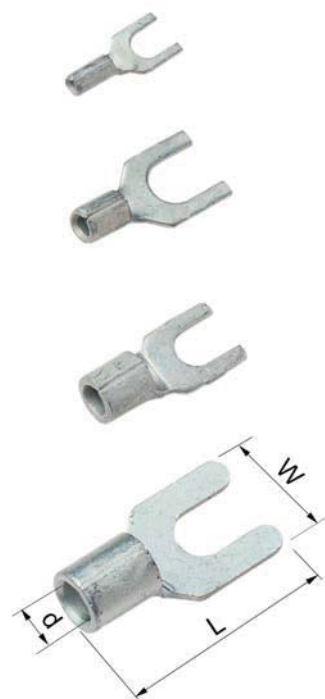


AWG	mm <sup>2</sup>	Cat. no.	Screw	mm W	d	t	L	s	Pcs/pack	Rec. tool
(22)-18	0,75	KR0,75-3*	M3	6,0	1,3	0,8	16,0	7	100	DKB0325, DKB0760
(22)-18		KR0,75-4*	M4	6,0	1,3	0,8	17,0	7	100	DKB0325, DKB0760
(18)-16	1,5	KR1,5-3*	M3	6,5	1,8	1,0	16,0	7	100	DKB0325, DKB0760
(18)-16		KR1,5-4*	M4	6,5	1,8	1,0	17,0	7	100	DKB0325, DKB0760
(18)-16		KR1,5-5*	M5	7,5	1,8	0,8	18,0	7	100	DKB0325, DKB0760
(16)-14	2,5	KR2,5-3*	M3	7,5	2,3	1,3	17,0	8	100	DKB0325, DKB0760
(16)-14		KR2,5-4*	M4	7,5	2,3	1,3	18,0	8	100	DKB0325, DKB0760
(16)-14		KR2,5-5*	M5	8,5	2,3	1,2	19,0	8	100	DKB0325, DKB0760
(16)-14		KR2,5-6*	M6	8,5	2,3	1,1	19,0	8	100	DKB0325, DKB0760
12	4	KR4-4	M4	8,5	3,0	1,5	21	9	100	GWB4099, ES2258
12		KR4-5	M5	9,0	3,0	1,5	22	9	100	GWB4099, ES2258
12		KR4-6	M6	10,0	3,0	1,4	23	9	100	GWB4099, ES2258
10	6	KR6-4	M4	9,5	4,0	1,7	22	9	100	GWB4099, ES2258
10		KR6-5	M5	9,5	4,0	1,7	22	9	100	GWB4099, ES2258
10		KR6-6	M6	10,0	4,0	1,6	23	9	100	GWB4099, ES2258
10		KR6-8	M8	13,0	4,0	1,2	30	9	100	GWB4099, ES2258
8	10	KR10-5	M5	11,5	5,0	3,0	29	11	100	GWB4099, ES2258
8		KR10-6	M6	11,5	5,0	3,0	29	11	100	GWB4099, ES2258
8		KR10-8	M8	13,5	5,0	2,2	33	11	100	GWB4099, ES2258
8		KR10-10	M10	16,0	5,0	2,0	34	11	100	GWB4099, ES2258
8		KR10-12	M12	19,0	5,0	1,7	41	11	100	GWB4099, ES2258

t = palm thickness s = strip length  
 \*without inspection hole

## Fork terminals 0.25 - 10 mm<sup>2</sup>

- Data: Cu 99.95%, tin plated, brazed necks.



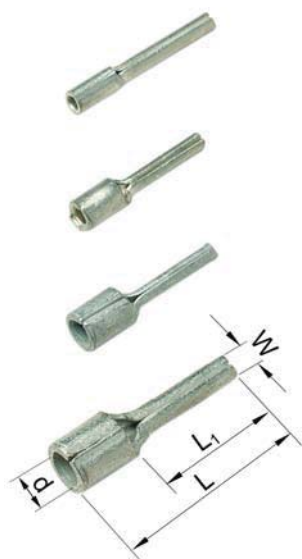
mm <sup>2</sup>	Cat. no.	Screw	mm W	d	t	L	s	Pcs/pack	Rec. tool
0,25-0,75	B0832G	M3	5,5	1,3	0,5	13,0	7	100	DKB0325
	B0843G	M4	7,5	1,3	0,5	16,2	7	100	DKB0325
0,75-1,5	B1532G	M3	5,5	1,8	0,7	13,0	7	100	DKB0325, DKB0760
	B1537GS	M3,5	5,5	1,8	0,7	16,2	7	100	DKB0325, DKB0760
	B1543G	M4	7,0	1,8	0,7	16,2	7	100	DKB0325, DKB0760
	B1553G	M5	9,0	1,8	0,7	17,0	7	100	DKB0325, DKB0760
1,5-2,5	B2532G	M3	5,5	2,3	0,8	13,0	8	100	DKB0325, DKB0760
	B2543G	M4	7,0	2,3	0,8	16,2	8	100	DKB0325, DKB0760
	B2553G	M5	9,0	2,3	0,8	17,0	8	100	DKB0325, DKB0760
4-6	B4643G	M4	7,8	3,4	1,0	18,0	9	100	DKB0760, GWB4099
	B4653G	M5	9,0	3,4	1,0	18,0	9	100	DKB0760, GWB4099
10	B9953G	M5	12,0	4,6	1,2	24	11	100	GWB4099
	B9965G	M6	11,0	4,6	1,1	23	8	100	GWB4099

t = palm thickness s = strip length

For detailed information regarding recommended tool, see tool section at the end of this chapter.

### Pin terminals 0.25 - 6 mm<sup>2</sup>

■ Data: Cu 99.95%, tin plated, brazed necks.



mm <sup>2</sup>	Cat. no.	mm W	d	L <sub>1</sub>	L	s	Pcs/ pack	Rec. tool
0,25-0,75	B0819SR	1,8	1,3	12,0	17,0	7	100	DKB0325
0,75-1,5	B1519SR	1,9	1,8	12,0	17,0	7	100	DKB0325, DKB0760
1,5-2,5	B2519SR	1,9	2,3	12,0	17,0	8	100	DKB0325, DKB0760
4-6	B4630SR	2,8	3,4	14,0	20	9	100	DKB0760

s = strip length

### Through connectors 0.75 - 10 mm<sup>2</sup>

■ Data: Cu 99.95%, tin plated

■ Cable inspection hole, for stranded (class 2) and flexible (class 5) Cu conductors.

■ UL-approved.



AWG	mm <sup>2</sup>	Cat. no.	mm d	L	s	Pcs/ pack	Rec. tool
(22)-18	0,75	KS0,75	1,3	14,0	7	100	DKB0760
(18)-16	1,5	KS1,5	1,8	14,0	7	100	DKB0760
(16)-14	2,5	KS2,5	2,3	16,0	8	100	DKB0760
12	4	KS4	3,0	19,0	9	100	GWB4099, ES2258
10	6	KS6	4,0	19,0	9	100	GWB4099, ES2258
8	10	KS10	5,0	30	16	100	GWB4099, ES2258
8		KST10	4,5	30	16	100	GWB4099

s = strip length

### Receptacles 0.5 - 6 mm<sup>2</sup>

■ Data: brass, tin plated.



mm <sup>2</sup>	Cat. no.	mm e	t	L	For tabs	s	Pcs/ pack	Rec. tool
0,5-1	B1003FLS5	6,0	0,25	14,0	2,8x0,5	7	100	DRB0115
	B1003FLS8	5,0	0,3	12,7	2,8x0,8	7	100	DRB0115
0,75-1,5	B1505FLS5-1	6,4	0,4	16,0	4,8x0,5	7	100	GRB0560
	B1505FLS8-1	6,4	0,4	16,0	4,8x0,8	7	100	GRB0560
	B1507FLS1	7,6	0,4	19,0	6,3x0,8	7	100	GRB0560
1,5-2,5	B2505FLS5	6,0	0,35	15,6	4,8x0,5	8	100	GRB0560
	B2505FLS8	6,0	0,4	16,0	4,8x0,8	8	100	GRB0560
	B2507FLS1	7,6	0,4	19,0	6,3x0,8	8	100	GRB0560
4-6	B4607FLS1	7,6	0,4	19,0	6,3x0,8	8	100	GRB0560

t = palm thickness s = strip length

For detailed information regarding recommended tool, see tool section at the end of this chapter.

## Receptacles with locking lip 0.5 - 6 mm<sup>2</sup>

■ Data: brass, tin plated.



mm <sup>2</sup>	Cat. no.	mm e	t	L	For tabs	s	Pcs/ pack	Rec. tool
0,5-1,5	B1507FLSN	7,5	0,4	19,2	6,3x0,8	7	100	GRB0560
1,5-2,5	B2507FLSN	7,5	0,4	19,0	6,3x0,8	8	100	GRB0560
4-6	B4607FLSN	7,5	0,4	19,0	6,3x0,8	9	100	GRB0560

t = metal thickness s = strip length

## Multiple tabs 0.5 - 2.5 mm<sup>2</sup>

■ Data: brass, tin plated.



mm <sup>2</sup>	Cat. no.	mm e	t	L	For tabs	s	Pcs/ pack	Rec. tool
0,5-1,5	B1507FLSH	8,0	0,4	20,0	6,3x0,8	7	100	GRB0560
1,5-2,5	B2507FLSH	8,0	0,4	20,0	6,3x0,8	7	100	GRB0560

t = metal thickness s = strip length

## Receptacle, 90°, 0.5 - 1.5 mm<sup>2</sup>

■ Data: brass, tin plated.



mm <sup>2</sup>	Cat. no.	mm e	t	L	For tab	s	Pcs/ pack	Rec. tool
0,5-1,5	B1507FLSB8	7,7	0,4	13,0	6,3x0,8	7	100	TRB0515B

t = metal thickness s = strip length

## Receptacle 90°, 0.5 - 1 mm<sup>2</sup>

■ Data: brass, tin plated.



mm <sup>2</sup>	Cat. no.	mm e	t	L	For tabs	s	Pcs/ pack	Rec. tool
0,5-1	B1003FLSV5	4,9	0,3	9,3	2,8x0,5	7	100	DRB0115

t = metal thickness s = strip length

For detailed information regarding recommended tool, see tool section at the end of this chapter.

### Tabs 0.5 - 2.5 mm<sup>2</sup>

■ Data: brass, tin plated.

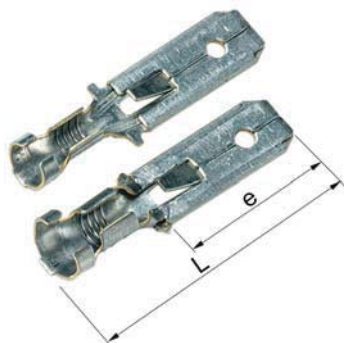


mm <sup>2</sup>	Cat. no	mm e	L	Tabs	s	Pcs/pack	Rec. tool
0,5-1	B1003H	5,6	12,7	2,8x0,8	7	100	DRB0115
0,5-1,5	B1507H	8,0	19,0	6,3x0,8	7	100	GRB0560
1,5-2,5	B2507H	8,0	20	6,3x0,8	8	100	GRB0560

s = strip length

### Tabs with locking lip 0.5 - 6 mm<sup>2</sup>

■ Data: brass, tin plated.

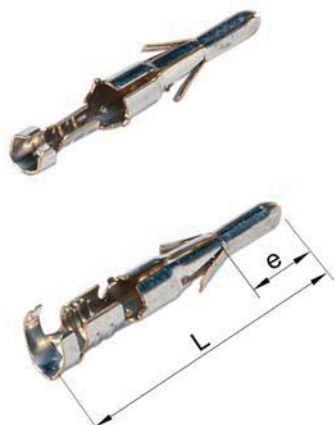


mm <sup>2</sup>	Cat. no.	mm e	L	Tabs	s	Pcs/pack	Rec. tool
0,5-1,0	B1007HN	16,0	28	6,3x0,8	8	100	DRB0115
1,5-2,5	B2507HN	16,0	28	6,3x0,8	8	100	GRB0560
4-6	B4607HN	16,0	28	6,3x0,8	9	100	GRB0560

s = strip length

### Bullets 0.2 - 1.5 mm<sup>2</sup>

■ Data: brass, tin plated.



mm <sup>2</sup>	Cat. no	mm e	L	Ø bullet	s	Pcs/pack	Rec. tool
0,2-0,5	B0502HA	5,5	21	2,0	7	100	DRB0115
0,5-1,5	B1502HA	5,5	21	2,0	8	100	DRB0115

s = strip length

### Sockets 0.2 - 1.5 mm<sup>2</sup>

■ Data: brass, tin plated.



mm <sup>2</sup>	Cat. no.	mm e	L	For bullet Ø	s	Pcs/pack	Rec. tool
0,2-0,5	B0502HO	5,5	21	2,0	7	100	DRB0115
0,5-1,5	B1502HO	5,5	21	2,0	8	100	DRB0115

s = strip length

For detailed information regarding recommended tool, see tool section at the end of this chapter.



## Tabs

■ Data: brass, tin plated.

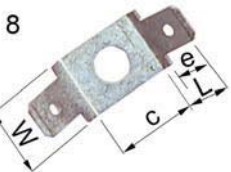
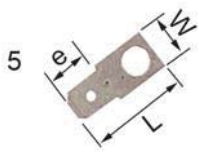


Fig	Cat. no.	mm W	e	L	Tabs	Pcs/ pack
1	B07FLS1H	8,5	8,0	8,5	6,3x0,8	100
2	B07FLS2H	9,0	7,5	18,5	6,3x0,8	100
3	B07FLS3H	8,0	7,5	21	6,3x0,8	100

Fig	Cat. no.	mm W	L	Tabs	Pcs/ pack
4	B07FLS	7,5	9,0	6,3x0,8	100

Fig	Cat. no.	mm W	e	∅	L	Tabs	Pcs/ pack
5	B1807H4	8,1	8,3	4,4	19,1	6,3x0,8	100
5	B1807H5	8,0	8,3	5,4	19,2	6,3x0,8	100

Fig	Cat. no.	mm b	e	∅	c	Tabs	Pcs/ pack	Angle
6	B0457H4	8,0	8,0	4,1	8,0	6,3x0,8	100	45°
6	B0457H5	8,0	8,0	5,3	8,0	6,3x0,8	100	45°
7	B0907H4	8,0	8,3	4,1	8,0	6,3x0,8	100	90°
7	B0907H5	8,0	8,0	5,3	8,0	6,3x0,8	100	90°

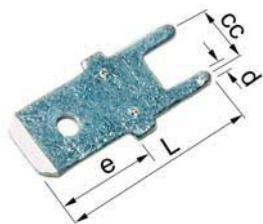
Fig	Cat. no.	mm W	c	e	∅	L	Tabs	Pcs/ pack	Angle
8	B2457H4	10,0	12,0	8,0	4,2	10,0	6,3x0,8	100	2x45°
8	B2457H5	10,0	12,0	8,0	5,2	10,0	6,3x0,8	100	2x45°

∅ hole diameter.

3

## Tabs for soldering

■ Data: brass, tin plated.



Cat. no.	mm cc	e	d	L	Tabs	Pcs/ pack
12523	5,0	8,0	1,5	16,8	6,3x0,8	100



Cat. no.	mm cc	d	W	L	Tabs	Pcs/ pack
17127	5,0	1,3	5,0	13,4	2,8x0,8	100
17128	5,0	1,2	9,0	16,0	6,3x0,8	100



Cat. no.	mm d	W	L	Tabs	Pcs/ pack
12610	0,9	6,5	10,5	2,8x0,8	100

## Insulation boots

■ Data: used together with straight and angled receptacle connections.

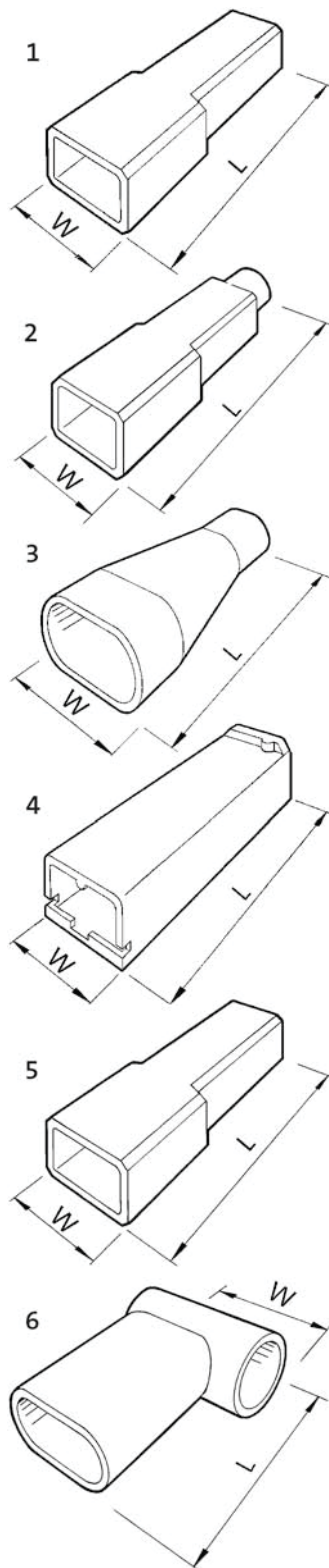


Fig.	Cat. no.	mm L W	Material Colour	mm Tab size Max. cable Ø	Pcs/ pack	Temp °C
1	ISO1003FL1	19,0	PE	2,8	100	-50 +85
		5,6	transp	2,5	100	
2	ISO1005FL1	21,0	PVC	4,8	100	-25 +75
		7,6	transp	3,2	100	
3	ISO1507HBW6	23	PVC	6,3	100	-25 +75
		11,0	transp	3,6	100	
4	ISO1507FLS	24	PE	6,3	100	-25 +75
		9,0	transp	2,5	100	
5	ISO2507FLS1	22,5	PE	6,3	100	-50 +85
		9,5	transp	3,0	100	
6	ISO1507FLB*	17,3	PVC	6,3	100	-25 +75
		15,0	transp	2,5	100	

\* Used with 90° receptacle

3

### Connector blocks

- used with receptacles and tabs with locking lip 1,5 - 6 mm<sup>2</sup>
- material PA (nylon) transparent
- max voltage 250 VAC

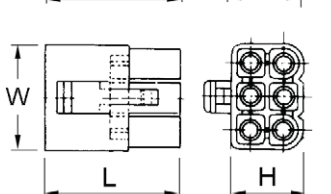
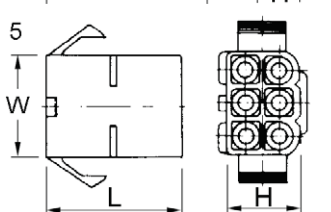
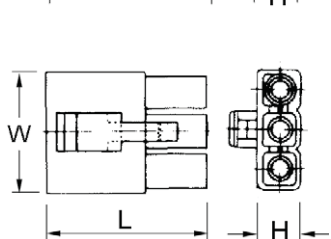
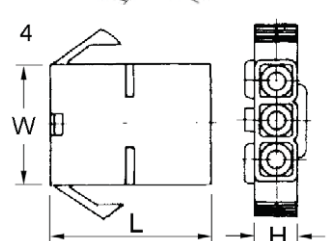
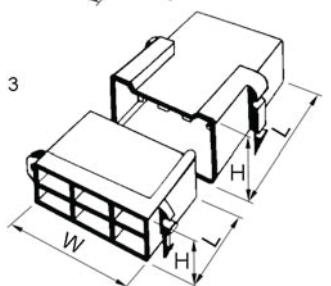
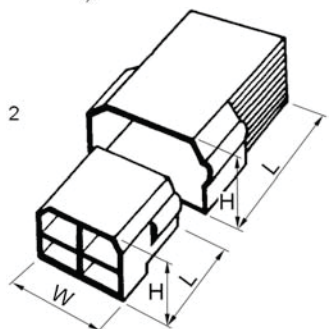
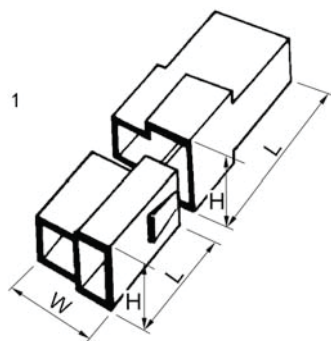


Fig	Cat. no.	No. of terminals	mm L	W	H	Pcs/pack	Note
1	408-2-M	2	24	16,4	9,7	100	1
2	408-4-M	4	24	28	15,3	100	1
3	408-6-M	6	29	29	15,2	100	1
-	408-8-M	8	34	38	15,6	100	1
1	408-2-F	2	32	20	12,7	100	2
2	408-4-F	4	33	23	17,4	100	2
3	408-6-F	6	33	31	18,7	50	2
-	408-8-F	8	33	40	18,6	25	2

**Note**

- 1 Used with receptacles B2507FLSN and B4607FLSN.
- 2 Used with tabs B2507HN and B4607HN.

### Connector blocks

- used together with sockets and bullets 0,2 - 1,5 mm<sup>2</sup>
- material PA (nylon) transparent
- rated voltage 250 VAC
- max current 20 A
- temperature range -20° C to +105° C

Fig	Cat. no.	Pol	mm L	W	H	Pcs/pack	Note
-	MC02F	2	27	13,6	7,3	100	3
-	MC02M	2	27	13,5	7,3	100	4
4	MC03F	3	27	19,6	7,2	100	3
4	MC03M	3	27	19,6	7,1	100	4
-	MC04F	4	27	13,5	13,5	100	3
-	MC04M	4	27	13,5	13,5	100	4
5	MC06F	6	27	19,6	13,4	100	3
5	MC06M	6	27	19,6	13,4	100	4
-	MC09F	9	27	19,7	19,7	100	3
-	MC09M	9	27	19,7	19,7	100	4
-	MC12F	12	27	26	19,6	50	3
-	MC12M	12	27	26	19,7	50	4
-	MC15F	15	27	32	19,6	50	3
-	MC15M	15	26	32	19,9	50	4

**Note**

- 3 Used with bullets B0502HA and B1502HA.
- 4 Used with sockets B0502HO and B1502HO.

## Connector blocks

- used together with receptacles
- material PVC semi-transparent
- max voltage 400 V
- max current 18 A

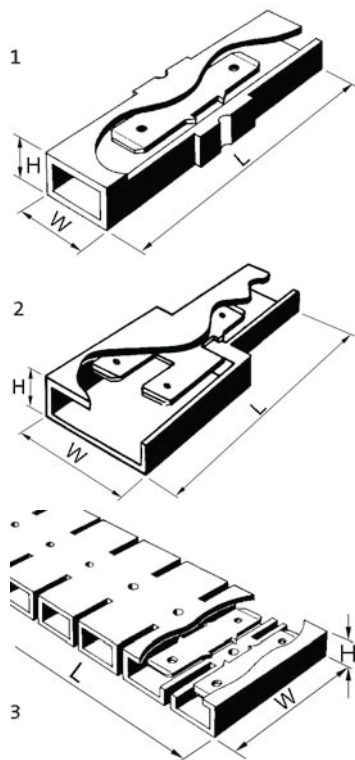


Fig	Cat. no.	No.of links	mm L	W	H	Tabs	Pcs/ pack
1	404-1	1	48	12,0	6,0	6,3x0,8	100
2	405-3	1+2	54,5	20,7	7,4	6,3x0,8	100
3	401-12	12	147	28	7,0	6,3x0,8	50



## Assortment box PL701

Elpress assortment box designed for field service engineers and service departments.

### Included:

- manufactured from polyeten
- 19 partions
- 700 un-insulated terminals and through connectors 0.75 - 10 mm²
- crimp tool DKB0325
- crimp tool GWB4099 Miniforce
- stripping and cutting tool SCT001
- weight 4.3 kg, length 370 mm, width 298 mm, height 36.5 mm

## Hobby tools for crimping terminals 0.5 - 6 mm<sup>2</sup> and for cutting and stripping

### Technical data:

- manufactured from high-class steel and with semi-soft handles
- die nests are distinctly marked
- no full closure ratchet
- cuts up to 6 mm<sup>2</sup>
- strips up to 6 mm<sup>2</sup>
- bolt-cutter M2,5 - M5
- weight 0.20 kg, length 225 mm

### Crimp range 0.5 - 6 mm<sup>2</sup>

## T50

Elpress hobby tool.

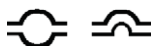
### Particulars:

- crimps pre-insulated terminals 0.5 - 6 mm<sup>2</sup> and indent crimps un-insulated, closed barrel terminals 1.5 - 6 mm<sup>2</sup>
- red, semi-soft handles for optimal comfort
- stripping and bolt cutting functions

T50



Crimp types



Area	Cat. no.	Crimp type	Weight	Length
0.5-6 mm <sup>2</sup>	T50	oval/indent	0.200 kg	225 mm

## T51

Elpress hobby tool.

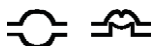
### Particulars:

- crimps pre-insulated terminals 0.5 - 6 mm<sup>2</sup>, and roll crimps open barrel un-insulated terminals 0.5 - 2.5 mm<sup>2</sup>
- yellow, semi-soft handles for optimal comfort
- stripping and bolt cutting functions

T51



Crimp types



Area	Cat. no.	Crimp type	Weight	Length
0.5-6 mm <sup>2</sup>	T51	oval/roll	0.200 kg	225 mm

## T52

Elpress hobby tool.

### Particulars:

- roll crimps un-insulated, open barrel, un-insulated terminals 0.5 - 6 mm<sup>2</sup>
- green, semi-soft handles for optimal comfort
- stripping and bolt cutting functions

T52



Crimp type



Area	Cat. no.	Crimp type	Weight	Length
0.5-6 mm <sup>2</sup>	T52	roll	0.200 kg	225 mm

## Certified tools for un-insulated terminals 0.15 - 6 mm<sup>2</sup>



### Technical data:

- die nests are distinctly marked
- adjustable if changes occur, ie after many crimps
- tested with Elpress terminals
- ratchet system to guarantee fully closed crimps
- emergency release if the crimping sequence must be interrupted
- unique design makes the tools compact and handy
- requires minimum of muscle strength for a perfect crimp
- at least 50.000 crimps
- delivered with certificate for quality assurance

3

TRB0515B



Crimp type



### Crimp range 0.5 - 1.5 mm<sup>2</sup>

## TRB0515B

Tool for roll crimping of flag terminal B1507FLSB8.

- certificate not included

Area	Cat. no.	Crimp type	Weight	Length
0.5-1.5 mm <sup>2</sup>	TRB0515B	roll	0.740 kg	260 mm

DRB0115



Crimp type



### Crimp range 0.15 - 1.5 mm<sup>2</sup>

## DRB0115

Elpress crimp tool for roll crimping of un-insulated receptacles, tab terminals, bullets and sockets. For crimping of B1507FLS1 or B1507FLSH GRB0560/GRB0560C should be used.

Area	Cat. no.	Crimp type	Weight	Length x Width
0.15-1.5 mm <sup>2</sup>	DRB0115	roll	0.444 kg	192 x 66 mm

DKB0325



Crimp type



### Crimp range 0.25 - 2.5 mm<sup>2</sup>

## DKB0325

Elpress crimp tool for indent crimping of Cu tube and sheet terminals.

Area	Cat. no.	Crimp type	Weight	Length x Width
0.25-2.5 mm <sup>2</sup>	DKB0325	indent	0.444 kg	192 x 66 mm

DKB0760



Crimp type



### Crimp range 0.75 - 6 mm<sup>2</sup>

## DKB0760

Elpress crimp tool for indent crimping of Cu tube and sheet terminals.

Area	Cat. no.	Crimp type	Weight	Length x Width
0.75-6 mm <sup>2</sup>	DKB0760	indent	0.445 kg	192 x 66 mm

## Certified Miniforce tools for un-insulated terminals 0.5 - 10 mm<sup>2</sup>



### Technical data:

- unique mechanism that reduces maximum handle force with 30% compared to the earlier Exx version
- ratchet system to guarantee a fully closed crimp
- release mechanism if the crimping sequence must be interrupted
- distinctly marked die nests
- adjustable if changes occur, ie after many crimps
- tested with Elpress terminals
- ergonomically designed handles to fit all users
- optimises the crimp quality
- reduces the risk for repetitive strain injuries (RSI)
- light and handy design without reduction in durability
- type C has extra long handles for comfortable two-hand grip
- at least 80.000 crimps
- delivered with certificate for quality assurance

### Crimp range 0.5 - 6 mm<sup>2</sup>

## GRB0560L and GRB0560LC

Elpress Miniforce crimp tools for roll crimping of un-insulated terminals.

Type L crimp tools are supplied with **three exchangeable locators** for receptacle terminals (see table).

Type LC has **locators** and long handles.

### Particulars:

- supplied in a practical and rigid plastic box
- the L and LC type tool has locators - your "third hand" - to hold the terminals in the right crimp position, which simplifies quality performance considerably

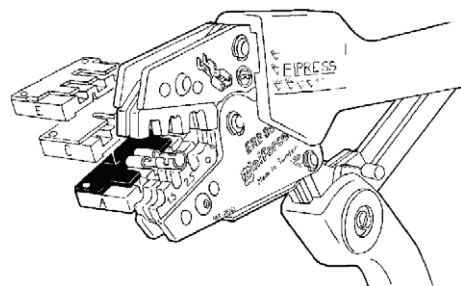
GRB0560L



GRB0560LC



Crimp type



GRB0560-locator.

Locator	Marking	
A	1.	B1507FLS1 B1507FLSN
	2.	B2507FLS1 B2507FLSN
	3.	B4607FLSN B4607FLS1
C	1.	B1507H
	2.	B2507HN
	3.	B4607HN
E	1.	B1505FLS (5 or 8) -1
	2.	B2505FLS (5 or 8) -1

Area	Cat. no.	Crimp type	Weight	Length x Width
0.5-6 mm <sup>2</sup>	GRB0560L	roll	0.952 kg	220 x 72 mm
0.5-6 mm <sup>2</sup>	GRB0560LC	roll	0.986 kg	255 x 72 mm



GRB0560



GRB0560C



Crimp type



## GRB0560 and GRB0560C

Elpress Miniforce crimp tool for roll crimping of un-insulated terminals. Similar to GRB0560C and GRB0560LC but without locators or carry box.

Area	Cat. no.	Crimp type	Weight	Length x Width
0.5-6 mm <sup>2</sup>	GRB0560	roll	0.649 kg	220 x 72 mm
0.5-6 mm <sup>2</sup>	GRB0560C	roll	0.684 kg	255 x 72 mm

Crimp range 4 - 10 mm<sup>2</sup>

## GWB4099 and GWB4099C

Miniforce crimp tools for W-indent crimping of un-insulated, closed barrel ring, fork, pin and tube terminals and connectors as well as tube terminals and through connectors type KR and KS.

Type C with long handles.

GWB4099



GWB4099C



Crimp type



Area	Cat. no.	Crimp type	Weight	Length x Width
4-10 mm <sup>2</sup>	GWB4099	W-crimp	0.635 kg	220 x 72 mm
4-10 mm <sup>2</sup>	GWB4099C	W-crimp	0.674 kg	255 x 72 mm

## GWB4010 and GWB4010C

Miniforce crimp tools for W-indent crimping of un-insulated terminals type KR/KRT og KS/KST.

Type C with long handles.

GWB4010



Crimp type



Area	Cat. no.	Crimp type	Weight	Length x Width
4-10 mm <sup>2</sup>	GWB4010	W-crimp	0.418 kg	203 x 76 mm
4-10 mm <sup>2</sup>	GWB4010C	W-crimp	0.478 kg	256 x 80 mm

## Elpress Mobile - a tool with interchangeable dies



Professional crimp tool with interchangeable dies for electrical installations and data-com.

### Technical data:

- a reliable, safe, economical and comfortable tool
- parallel-action stroke with a maximum force of 10 000 N, tested for 20000 crimps
- easily interchangeable crimp dies with one handgrip
- the dies are kept together as pairs with a special rod to simplify handling
- a wide range of crimping dies enables the user to cover 20-30 applications in just one tool frame

You purchase Elpress Mobile in four basic versions:

## Elpress Mobile

Mobile handtool (only the frame). Dies supplemented.

Cat. no.	Weight	Length x Width
Elpress Mobile	0.554 kg	234 x 64 mm



Mobile, only the frame.



Mobile + dies OAA0525 and OEB0210.

## Mobile Installation

Mobile hand tool and two interchangeable dies:

- die OAA0525 for crimping of insulated terminals 0.5 - 2.5 mm<sup>2</sup>
- die OEB0210 for crimping of end sleeves 0.25 - 10 mm<sup>2</sup>
- the tool is delivered with dies in a plastic packaging

Cat. no.	Weight	Length x Width
Mobile Installation	0.694 kg	234 x 64 mm

## Mobile DataCom

Mobile hand tool and two interchangeable dies:

- die OMP45 for crimping of modular plug, RJ45 contacts
- die OCC1113 for crimping of coaxial contacts RG58, 59, 62, 71
- the tool is delivered with dies in a plastic packaging



Mobile + dies OMP45 and OCC1113.

Cat. no.	Weight	Length x Width
Mobile DataCom	0.659 kg	234 x 64 mm

## Mobile Solar Kit

Mobile hand tool for Solar panel installations including tool, three interchangeable dies and cable stripper LOKE for solar panel cable with extra thick insulation.

- OMS4, for crimping of Solar type connectors  $\varnothing$  4 mm, with open barrel conductor crimp 2.5-6.0 mm<sup>2</sup>
- OMS3, for crimping of Solar connectors  $\varnothing$  3 mm, turned pin type 2.5 - 6.0 mm<sup>2</sup>
- OMSL, for crimping of Solar connectors, turned pin type, Solar Lock 2.5 - 6.0 mm<sup>2</sup>



Mobile + dies OMS4, OMS3 and OMSL

Cat. no.	Weight	Length x Width
Mobile Solar Kit	0.722 kg	234 x 64 mm



Cable stripper LOKE.

## Mobile Box

Box for the Mobile tool which has place for the tool and 5-6 dies. The Mobile tool and dies are ordered separately.



Cat. no.	Weight	Length x Width	Height
Mobile Box	0.320 kg	246 x 218 mm	56.5 mm

Additional dies to Elpress Mobile are presented in the table on the following page.

## You complete your kit with these dies

Additional dies to Elpress Mobile. All dies have the same easy and fast fastening in the frame. The dies are kept together as pairs and delivered in a plastic cassette which can be put together with other cassettes.



**OAA0160**  
 For crimping of pre-insulated terminals 0.1 - 0.5 & 4 - 6 mm<sup>2</sup>.



**OAA0525**  
 For crimping of pre-insulated terminals 0.5 - 2.5mm<sup>2</sup>.



**OSW0360**  
 For crimping of through connectors with heat shrink insulation 0.3-0.75 and 4-6 mm<sup>2</sup>



**OSW0525**  
 For crimping of through connectors with heat shrink insulation 0.5-1.5 and 1.5-2.5 mm<sup>2</sup>



**OPB0140**  
 For crimping of global power connectors, GPC.



**OPB6099**  
 For crimping of global power connectors, GPC.



**OWB4099**  
 For W-crimping of un-insulated terminals 4 - 10 mm<sup>2</sup>.



**OKB0725**  
 For indent crimping of un-insulated terminals 0.75 - 2.5 mm<sup>2</sup>.



**OKB0560**  
 For indent crimping of un-insulated terminals 0.5 - 6 mm<sup>2</sup>.



**OEB0210**  
 For crimping of end terminals 0.25 - 10 mm<sup>2</sup>.



**OEB1625**  
 For crimping of end terminals 16 - 25 mm<sup>2</sup>.



**OEB3550**  
 For crimping of end terminals 35 - 50 mm<sup>2</sup>.



**ORB0110**  
 For roll crimping of terminals 0.1 - 1.0 mm<sup>2</sup>.



**ORB0560**  
 For roll crimping of terminals 0.5 - 6 mm<sup>2</sup>.



**OMP45**  
 For crimping of modular-plug RJ45.



**OMP11**  
 For crimping of modular-plug RJ11.



**OFO5432**  
 For crimping of fiber optics connections type ST, SC, SMA, SMB, SFR.



**OCC0908**  
 For crimping of coaxial contacts type BNC, TNC, RG174, RG179.



**OCC1113**  
 For crimping of coaxial contacts type BNC, TNC, RG58, RG59, RG62, RG71.



**OCC4755**  
 For crimping of coaxial contacts type CATV, RG6, RG59.



**OMS4**  
 For crimping of solar connectors Ø 4 mm, with open barrel conductor crimp 2.5 - 6.0 mm<sup>2</sup>.



**OMS3**  
 For crimping of solar connectors Ø 3 mm, turned pin type 2.5- 6.0 mm<sup>2</sup>.



**OMSL**  
 For crimping of solar connectors turned pin type Solar Lock 2.5- 6.0 mm<sup>2</sup>.



## Battery powered crimp tool



PV130P, PV130S - Elpress Mini.

### Technical data:

- NiMh battery power (9.6 V and 1.3 Ah), recharge time approx. 40 minutes
- advanced ergonomics for excellent access in confined areas
- tool for service and installation work
- fast crimping 2-4 seconds
- approx. 150 crimps per charge
- crimp ranges see table below
- supplied in a plastic case with battery charger and one battery

**Crimp range 0.5-6, 0.25-10, 0.5-50 mm<sup>2</sup>**

### PV130P - Elpress Mini

Battery powered tool for parallel action crimping of pre-insulated terminals up to 6 mm<sup>2</sup>, un-insulated terminals up to 10 mm<sup>2</sup> and end terminals up to 50 mm<sup>2</sup>.

#### Included:

- Battery: PVBP1-MH
- Charger: PVBC2

Area	Cat. no.	Weight	Length
0.5-6/0.25-10/0.5-50 mm <sup>2</sup>	PV130P - Elpress Mini	1.3 kg	360 mm

### PV130S - Elpress Mini

Battery powered tool for scissor crimping movement of pre-insulated terminals up to 6 mm<sup>2</sup>, un-insulated terminals up to 10 mm<sup>2</sup> and end terminals up to 50 mm<sup>2</sup>.

#### Included:

- Battery: PVBP1-MH
- Charger: PVBC2

Area	Cat. no.	Weight	Length
0.5-6/0.25-10/0.5-50 mm <sup>2</sup>	PV130S - Elpress Mini	1.5 kg	360 mm



PV130P, box and charger.



EB0560

WB4099

KB0325



EB3550

EB1025

EB4010



RB0560

## Die table

	PV130P	PV130S
Application	Die	Die
Pre-insulated 0.5-6 mm <sup>2</sup>	SA0760	SA0760
Un-insulated, indent crimp 0.25-2,5 mm <sup>2</sup>	KB0325	KB0325
Un-insulated, W crimp 4-10 mm <sup>2</sup>	WB4099	WB4099
Un-insulated, roll-crimp 0.5-6 mm <sup>2</sup>	RB0560	RB0560
End terminals (ferrules)		
0.5-6 mm <sup>2</sup>	EB0560	EB0560
4-10 mm <sup>2</sup>	EB4010	EB4010
10-25 mm <sup>2</sup>	EB1025	EB1025
35-50 mm <sup>2</sup>	EB3550	EB3550

Remember to specify dies when you order a tool.

## Tool for Cu terminals 4 - 16 mm<sup>2</sup>

### Crimp range 4 - 16 mm<sup>2</sup>

#### Particulars:

- certified tool for norm accordance connection
- 30% lower handforce than earlier T2258 version makes the crimping easier
- ergonomic handles makes the installation easier
- scissor movement for optimal access in narrow spaces
- ratchet release which is not released until the crimping is completed
- hexagonal crimping with clearly marked crimping dies
- possibility to adjustment at calibration after long time use

### ES2258

Certified crimping tool for crimping of Cu-terminals, CUT 6-16 mm<sup>2</sup> and KR/KS 4-10 mm<sup>2</sup>. ES2258 replaces T2258.

#### Particulars:

- weight 0.65 kg, length 300 mm

ES2258



Crimp type

