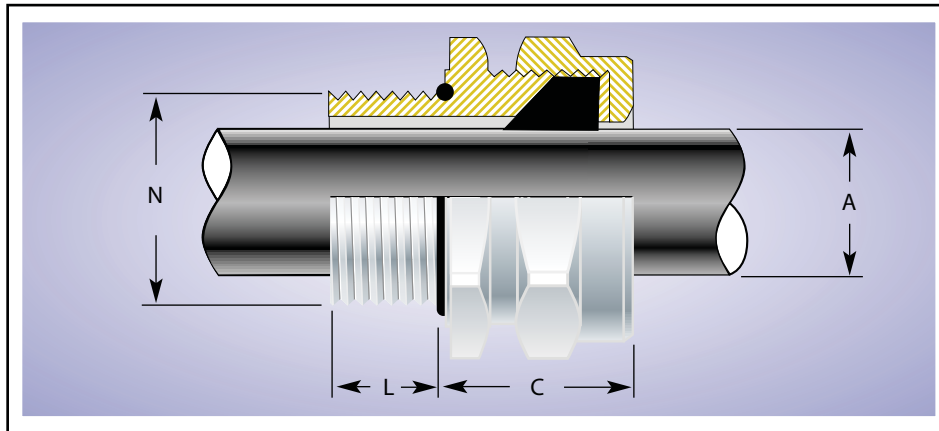


CCG A2F EExde compression gland



Product Code	Gland Size Reference	Entry Thread		Cable Details Min-Max 'A'	Maximum Length 'C'	Hexagonal Details (Max)	
		Diameter 'N'	Length 'L'			'Flats'	'Crns'
054116	00-16ss	M16	15	3.0-8.0	25	24	27
054100	*00-20ss	M20- 1/2 / 3/4	15	3.0-8.0	25	24	27
0541-0	*0-20s	M20- 1/2 / 3/4	15	7.0-11.0	35	24	27
054101	*1-20	M20- 1/2 / 3/4	15	11.0-15.5	25	27	31
054102	*2-25	M25- 3/4 / 1	15	15.0-20.5	30	35	40
054103	*3-32	M32-1/1 1/4	15	20.0-26.5	25	42	48
054104	4-40	M40-1 1/4 / 1 1/2	15	26.0-34.5	30	52	60
054105	5-50	M50-1 1/2 / 2	15	34.0-44.5	38	65	75
054106	6-63	M63-2/2 1/2	15	44.0-57.0	43	82	94
054107	7-75	M75-2 1/2 / 3	15	56.0-68.0	50	96	110
054108	8-80	M80-3	20	65.0-74.0	54	96	110
054109	9-90	M90-3/3 1/2	20	73.0-82.0	70	110	125
054110	10-100	M100-3 1/2 / 4	20	81.0-92.0	70	125	142
054111	11-110	M110-4	20	91.0-102.0	70	135	153

All dimensions are in mm.

*For use with Posi-Fit boxes. † Dimensions may differ from published table.

Features and Benefits

- For indoor/outdoor use and hazardous areas.
- Fitted with specially formulated elastomeric displacement seal, giving superior cable retention, explosion protection and IP rating.
- Manufactured from high quality brass and nickel plated.
- Supplied with a polypropylene or neoprene sealing gasket.



Technical Data

Type	A2F
Gland Material	Brass (Nickel Plated)
Seal Material	Thermoplastic Elastomer (Silicone on request)
Cable Type	Unarmoured
Sealing Area	Outer sheath
Optional Accessories	Locknut, Shroud, Earth Tag, Adaptor / Reducer

Standards and Certifications

Hazardous Area Classification	CENELEC / ATEX	Category 2, Category 3, EExde IIC 2 GD
-------------------------------	----------------	--

Compliance Code	Certification No.
CENELEC / ATEX	
EN60079-0 2004	EPSILON 06 ATEX 2066X
EN60079-1 2004	EPSILON 06 ATEX 2066X

Ingress Protection	IP 66/67/68
Operating Temperature	-30 °C to +130 °C

Special Conditions for Safe Use - X

Glands must be used as part of a certified assembly in surface installations only

Not for use on Exd enclosures that are larger than 2000cm³ volume in group IIC gases in zone 1 areas